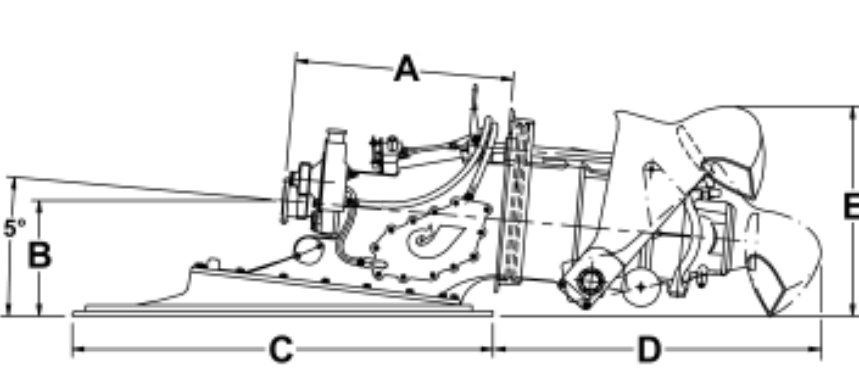


Waterjet Specifications

Dimensions & Power/RPM Inputs

Blue Arrow comprises the largest waterjet models in HamiltonJet's HJ series. These highly efficient propulsion units are suitable for propelling craft typically 8-16 metres in length and operating at speeds ranging from zero to over 50 knots.



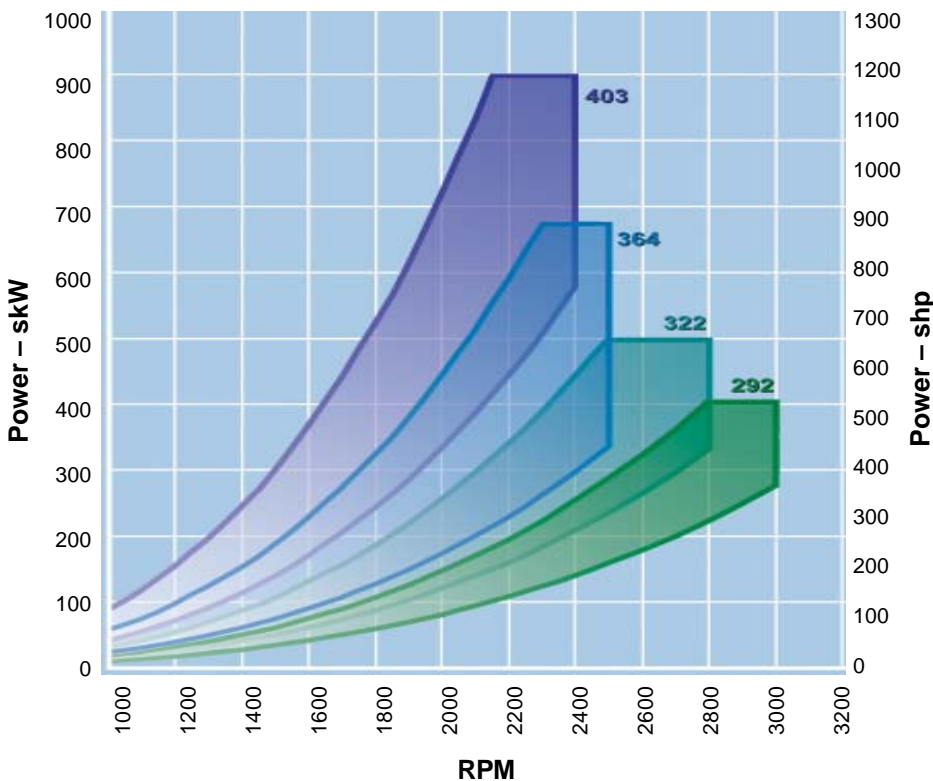
Layout and dimensions shown are indicative only for initial design purposes, based on jets with standard 5° intake block which facilitates close direct drive coupling of the engine. An optional 0° intake block, which positions the jet parallel to the hull bottom for reduced engine installation height when using a drop centre gearbox, is available for certain models.

Consult HamiltonJet for more detailed information.

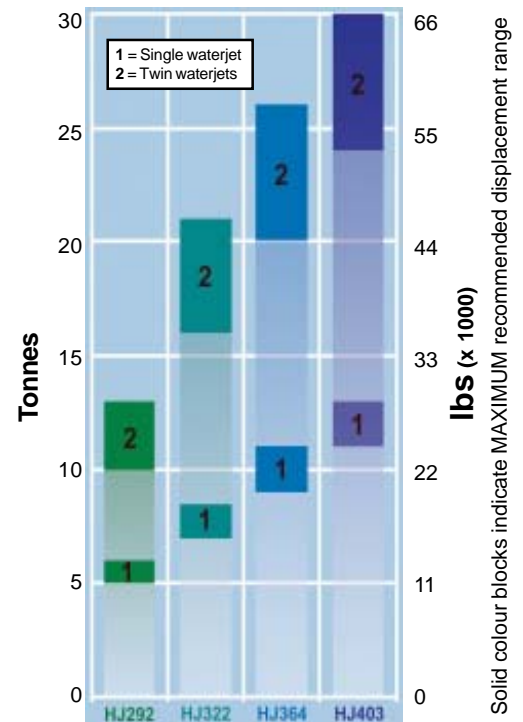
Jet Model	A (mm)	B (mm)	C (mm)	D (mm)	E (mm)	F (mm)	G (mm)	Dry Weight (kg / lbs)	Maximum Power (kW / hp)	RPM (Maximum)
HJ292	681	330	1180	862	550	495	608	208 / 459	400 / 540	2850-3000
HJ322	866	371	1380	980	637	550	680	326 / 719	500 / 670	2550-2800
HJ364	937	420	1634	901	708	621	747	430 / 948	670 / 900	2300-2500
HJ403	1053	474	1723	1230	752	690	803	695 / 1532	900 / 1200	2240-2400

NOTES: Input RPM subject to suitable cavitation limits – lower RPM figure is always preferred. Higher power inputs will restrict input RPM range. Weight based on 5° Intake Block option. 0° option will be slightly lighter.

Power/RPM Envelopes



Maximum Recommended Displacement (high speed craft)



Note: Multiply weights ranges above by 2 to get Maximum Recommended Displacement for slow speed craft